



Nampa Airport · 100 N. Kings Rd. · Nampa, ID 83687 · (208) 466-1711 · FAX (208) 466-7194

## SERVICE LETTER #51

DATE: September 11, 1995

SUBJECT: Series 5 Round Cowl, Rotax 912 Exhaust System

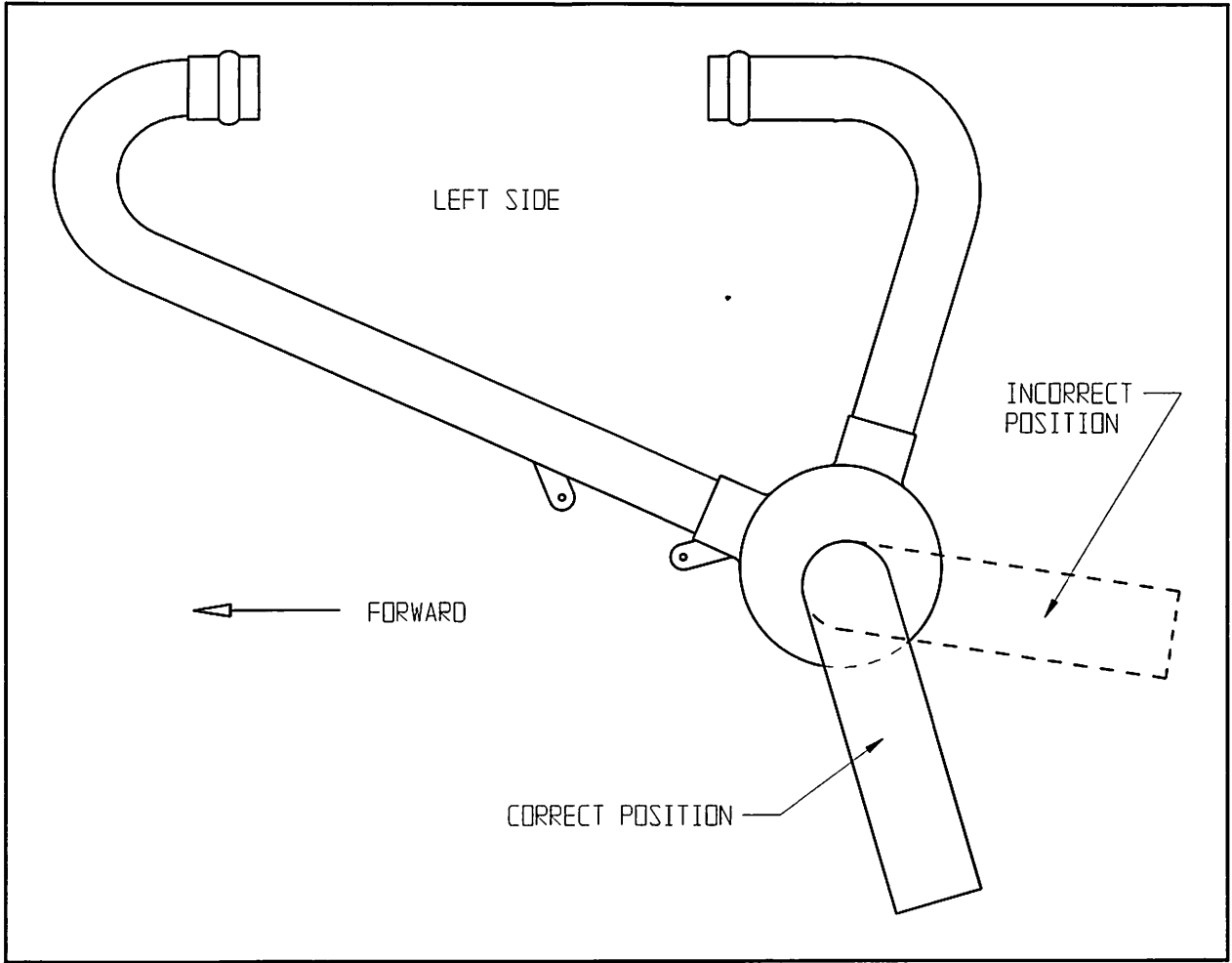
APPLICABILITY: Series 5 Aircraft with Round Cowls and a Rotax 912 Engine

COMPLIANCE: As required

FROM: SkyStar Aircraft Engineering Department

---

We have discovered that some Rotax 912 engine component kits for Series 5 aircraft with round cowls were shipped out with Classic 4 mufflers. Although the exhaust system can be attached to the engine itself, the exhaust pipe is oriented incorrectly. If you received one of these systems (shown in Figure 1), please contact our Customer Service Department at 208-466-1711 to arrange replacement with a correct system.



**Figure 1 - Exhaust Pipe Orientation**