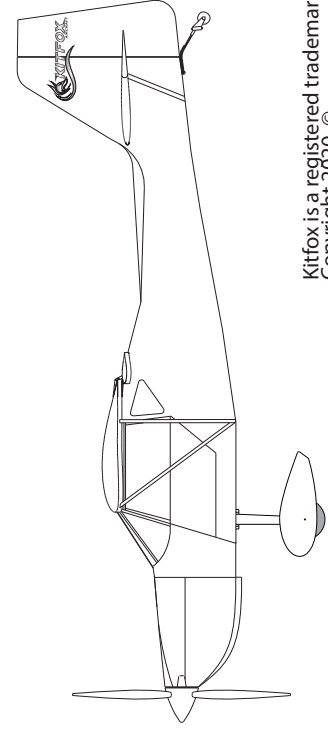
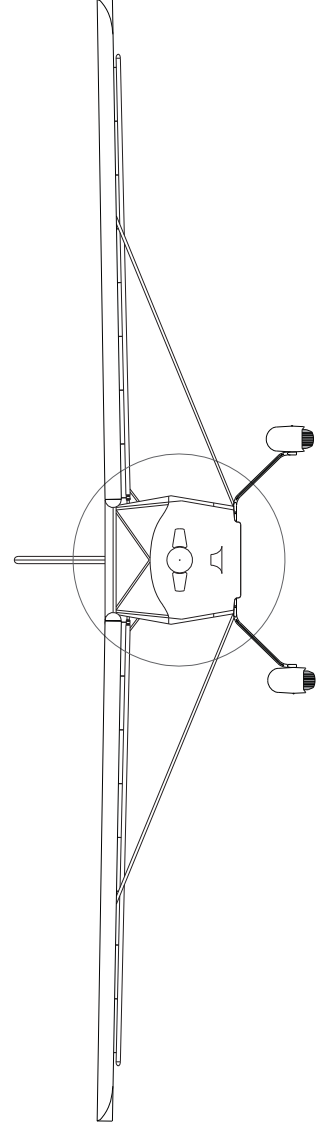
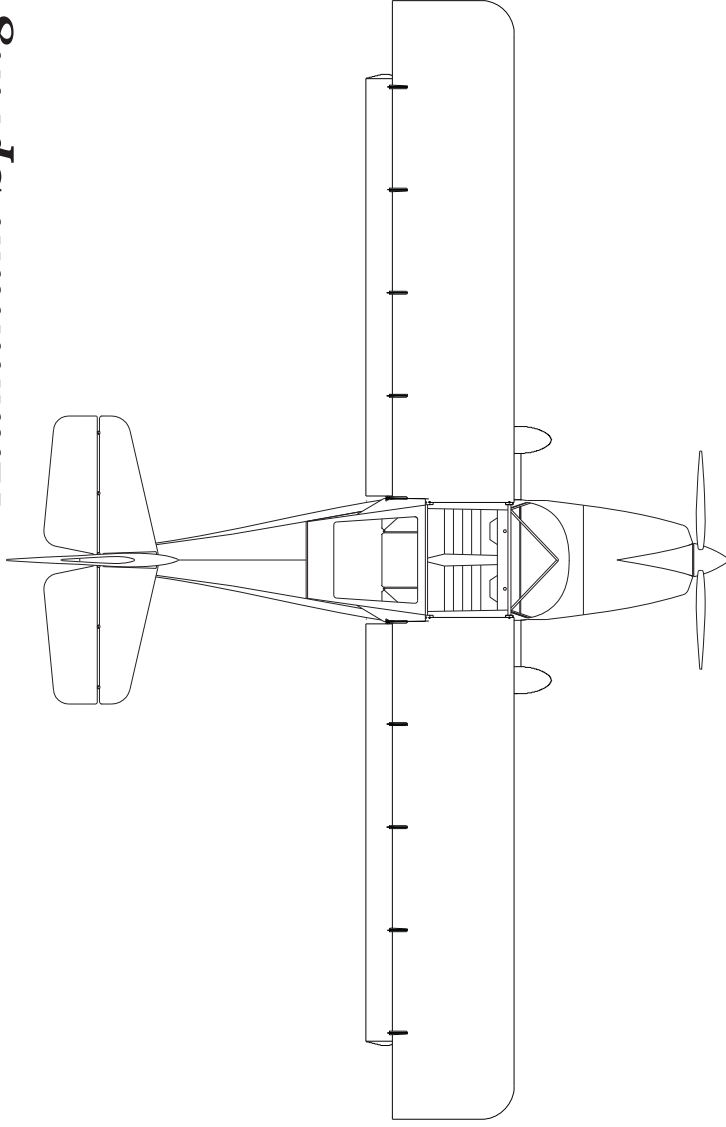




# Series 7 Super Sport

*Aluminum Spring Gear*



Kitfox is a registered trademark.  
Copyright 2020 ©